

Panasonic®



Assembly Instructions **TY-S52DL52** TV STAND

For assistance, please call: 1-800-211-PANA (7262)
or send e-mail to: consumerproducts@panasonic.com
or visit us at www.panasonic.com (USA)

For assistance, please call: 787-750-4300
or visit us at www.panasonic.com (Puerto Rico)

For assistance, please call: 905-624-5505
or visit us at www.panasonic.ca (Canada)

The tools required:



Plus (+) screwdriver

Important

A study of the assembly instructions will not only save you time, but may prevent possible damage to your new stand.






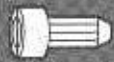
Assistance may be required for some assembly procedures.

CAUTION: THIS STAND IS DESIGNED ONLY FOR USE WITH PANASONIC TELEVISION RECEIVER.

UL APPROVED MODEL: PT-52DL52

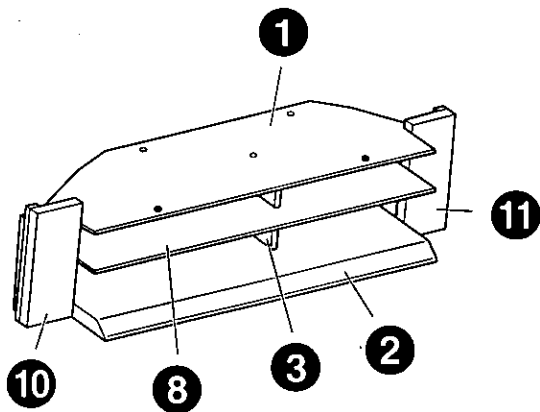
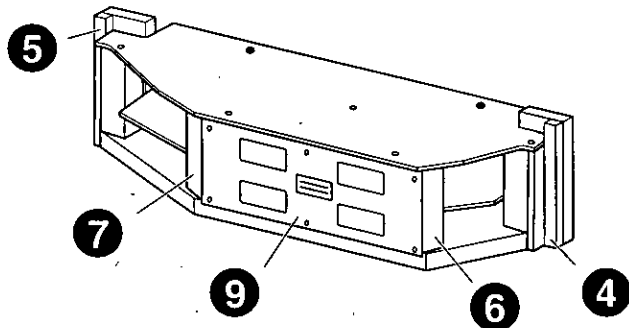
Use with other appliances may result in instability causing possible injury

Your hardware pack contains / Replacement parts

<p>Assembly screws ①</p>  <p>5 Pcs. THEA074</p>	<p>Rear panel fastening screw ②</p>  <p>6 Pcs. THM915-2</p>	<p>Shelf supporting pins ③</p>  <p>2 Pcs. TBL65347</p>
<p>Front panel fastening screws ④</p>  <p>2 Pcs. THEA075</p>	<p>Casters ⑤</p>  <p>6 Pcs. TBLB0012</p>	<p>Replacement parts Plastic position pins</p>  <p>2 Pcs. TBL65392</p>

Placement

Name of each part



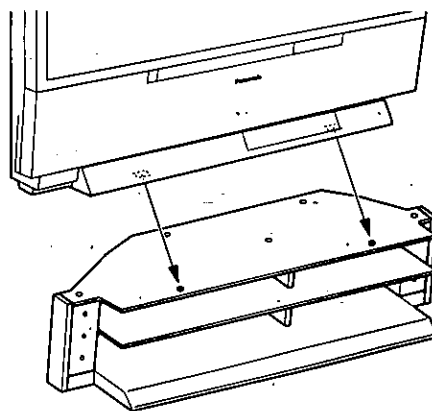
REPLACEMENT PARTS

Ref.	Description	Qty.	Part No.	Ref.	Description	Qty.	Part No.
1	Top Panel	1	TBLH0367	7	Rear Pillar (R)	1	TBLH0372
2	Bottom Panel	1	TBLH0489	8	Shelf Panel	1	TBLH3350
3	Partition Panel	1	TBLH0373	9	Rear Panel	1	TBLH0492
4	Side Pillar (L)	1	TBLH0369	10	Front Panel (L)	1	TBLH0490
5	Side Pillar (R)	1	TBLH0370	11	Front Panel (R)	1	TBLH0491
6	Rear Pillar (L)	1	TBLH0371				

STEP 1

Place the Television on stand making sure pins are in line with the bottom holes of Television Receiver

- Install the front panels to the side pillars after the TV set has been placed on the stand.
- Be careful not to catch your fingers when setting the TV set on the stand.



To maintain appearance we recommend the following:

Painted Surfaces: Use a damp cloth for cleaning. Do not use any abrasive or chemical treated cleaners.

NOTE: As with all indoor furniture, this unit should not be exposed to direct sunlight, extreme temperatures or moisture, as this can result in serious irreparable damage.

For improvement purposes, design and specifications are subject to change without notice.

When making a part(s) inquiry, please quote part no. & description.

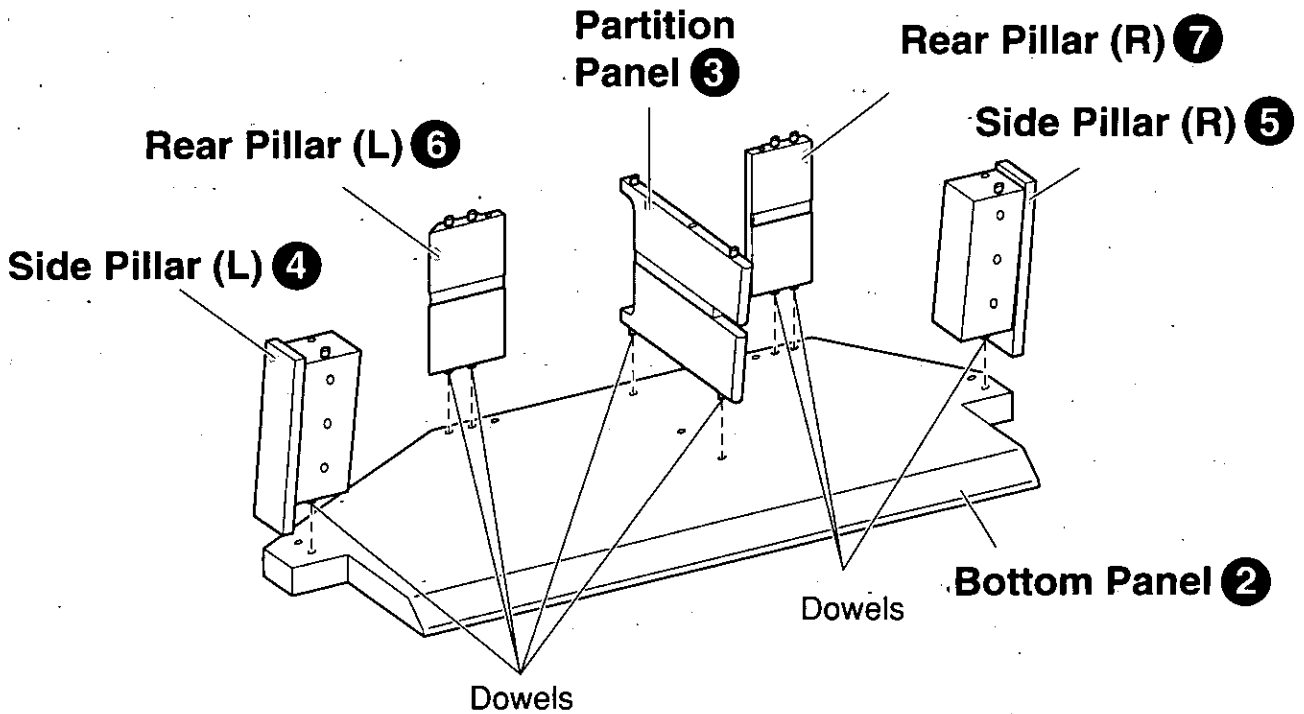
For parts inquiries or for out of warranty purchases:

PANASONIC SERVICES COMPANY
20421 84th Avenue South, Kent, Washington 98032
PANASONIC CANADA INC.
5770 Ambler Drive, Mississauga, ON, L4W 2T3

Phone: 1-800-833-9626 Fax: 1-800-237-9080
Phone: 905-624-2644

Assembly & Placement Manual Assembly

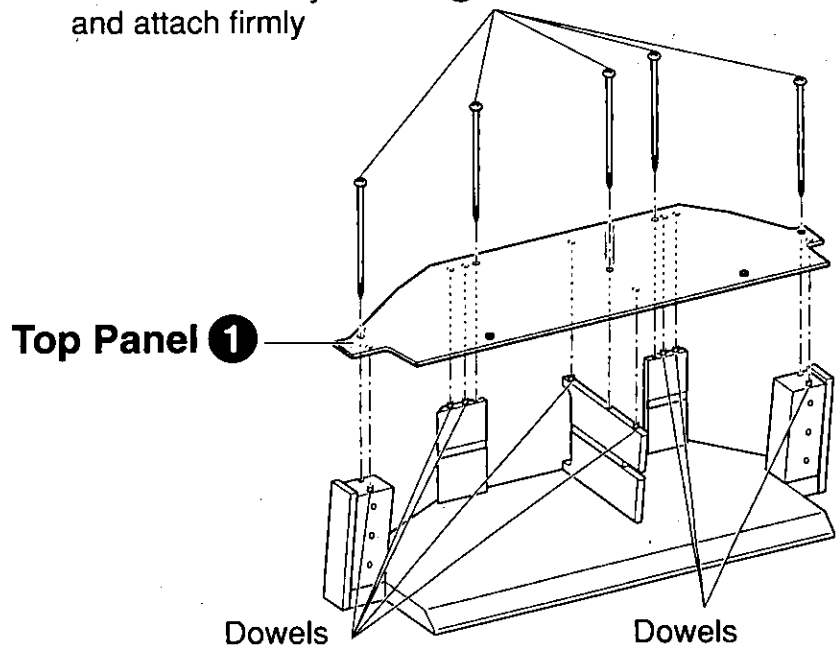
STEP 1 Assembling the Bottom Panel, Partition Panel, Left & Right Pillars, and Left & Right Rear Pillars



STEP 2

Attaching the Top Panel

Use the assembly screws (1) and attach firmly



Panasonic Canada Inc.
5770 Ambler Drive, Mississauga, Ontario L4W 2T3

PANASONIC PRODUCT - LIMITED WARRANTY

Panasonic Canada Inc. warrants this product to be free from defects in material and workmanship and agrees to remedy any such defect for a period as stated below from the date of original purchase.

TV Stand Ninety (90) days (parts only)

LIMITATIONS AND EXCLUSIONS

This warranty does not apply to products purchased outside Canada or to any product which has been improperly installed, subjected to usage for which the product was not designed, misused or abused, damaged during shipping, or which has been altered or repaired in any way that affects the reliability or detracts from the performance, nor does it cover any product which is used commercially. Dry cell batteries are also excluded from coverage under this warranty.

This warranty is extended to the original end user purchaser only. A purchase receipt or other proof of date of original purchase is required before warranty service is performed.

THIS EXPRESS, LIMITED WARRANTY IS IN LIEU OF ALL OTHER WARRANTIES, EXPRESS OR IMPLIED, EXCLUDING ANY IMPLIED WARRANTIES OF MERCHANTABILITY OR FITNESS FOR A PARTICULAR PURPOSE.

IN NO EVENT WILL PANASONIC CANADA INC. BE LIABLE FOR ANY SPECIAL, INDIRECT OR CONSEQUENTIAL DAMAGES.

In certain instances, some jurisdictions do not allow the exclusion or limitation of incidental or consequential damages, or the exclusion of implied warranties, so the above limitations and exclusions may not be applicable.

WARRANTY SERVICE

For product operation and information assistance, please contact your Dealer or our Customer Care Centre at:
Telephone #: (905) 624-5505 Fax #: (905) 238-2360 Web: www.panasonic.ca

For product repairs, please contact one of the following:

- Your Dealer who will inform you of an authorized Servicentre nearest you.
- Our Customer Care Centre at (905) 624-5505 or www.panasonic.ca
- A Panasonic Factory Servicentre listed below:

Richmond, British Columbia

Panasonic Canada Inc.
12111 Riverside Way
Richmond, BC V6W 1K8
Tel : (604) 278-4211
Fax : (604) 278-5627

Calgary, Alberta

Panasonic Canada Inc.
6835-8th St. N. E.
Calgary, AB T2E 7H7
Tel : (403) 295-3955
Fax : (403) 274-5493

Mississauga, Ontario

Panasonic Canada Inc.
5770 Ambler Dr.
Mississauga, ON L4W 2T3
Tel : (905) 624-8447
Fax : (905) 238-2418

Lachine, Québec

Panasonic Canada Inc.
3075, rue Louis A. Amos
Lachine, QC H8T 1C4
Tel : (514) 633-8684
Fax : (514) 633-8020

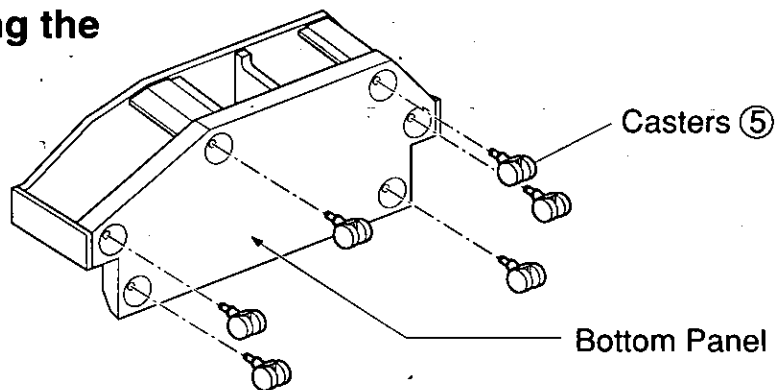
IF YOU SHIP THE PRODUCT TO A SERVICENTRE

Carefully pack and send prepaid, adequately insured and preferably in the original carton.
Include details of the defect claimed, and proof of date of original purchase.

TQDC18013

STEP 3 Attaching the Casters

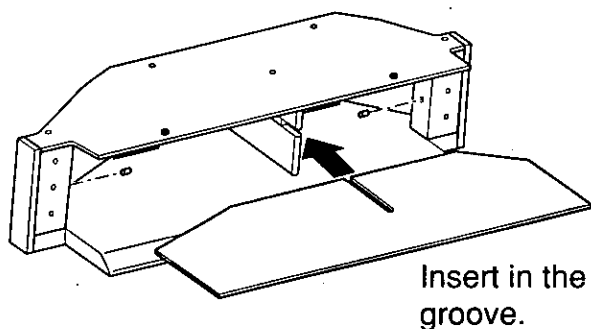
Insert the casters firmly.



STEP 4 Attaching the Shelf Panel

Shelf Panel ⑧

Insert shelf supporting pins ③ into the holes on the inward side of the side pillars ④ ⑤.



Incline the panel and place the slanted parts over the shelf supporting pins.

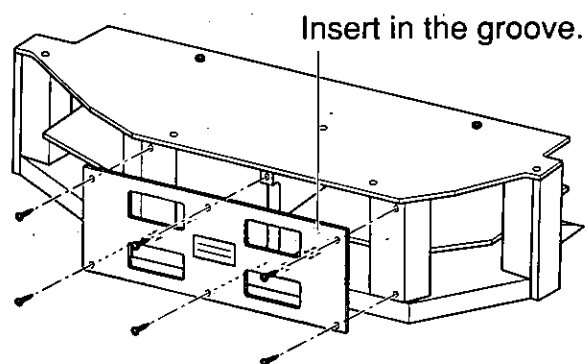
Shelf supporting pin ③



STEP 5 Attaching the Rear Panel

Rear Panel ⑨

Tighten the rear panel fastening screws ② to strengthen the overall structure.



Rear panel fastening screws ②

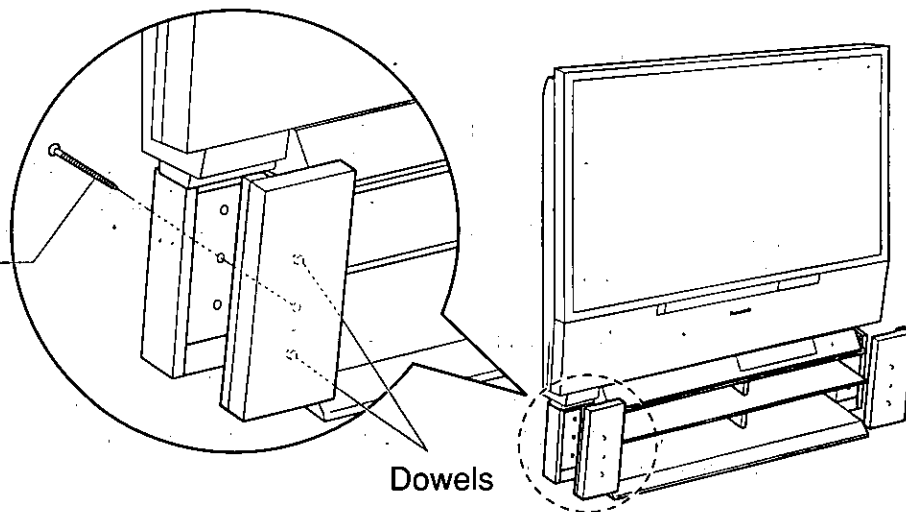
Fit the rear panel so that the surface with the model name plate is facing outward.

STEP 6

Use the front panels ⑩ ⑪ on front of the side pillars ④ ⑤

Front panel fastening screws ④

- Be careful not to catch your fingers when setting the TV set on the stand.



**PANASONIC CONSUMER ELECTRONICS
COMPANY,
DIVISION OF: MATSUSHITA ELECTRIC
CORPORATION OF AMERICA
One Panasonic Way
Secaucus, New Jersey 07094**

**PANASONIC SALES COMPANY,
DIVISION OF:
MATSUSHITA ELECTRIC OF PUERTO
RICO, INC.
Ave. 65 de Infanteria, Km. 9.5
San Gabriel Industrial Park
Carolina, Puerto Rico 00985**

Panasonic®

TV-STAND

Panasonic Consumer Electronics Company or Panasonic Sales Company (collectively referred to as "The warrantor") will replace parts in case of defects in materials or workmanship free of charge, in the U.S.A. or Puerto Rico, for ten (10) days from the date of the original purchase.

In-warranty parts in the U.S.A. can be obtained during the warranty period by contacting:

**Panasonic Services Company (PASC)
20421 84th Avenue South, Kent, Washington 98032
Tel. :1-800-833-9626
Fax. :1-800-237-9080**

(6 am to 5 pm Monday-Friday; 6 am to 10:30 am Saturday; PST)

Service in Puerto Rico can be obtained during the warranty period by calling the telephone number listed above.

This warranty is extended only to the original purchaser. A purchase receipt or other proof of the original purchase is required for replacement parts under the warranty.

This warranty covers only failures due to materials or workmanship and does not cover normal wear. The warranty does not cover damages which occurred in shipment or failures which result from accidents, misuse, abuse, neglect, mishandling, misapplication, faulty installation, set-up adjustments, improper maintenance, alteration, line power surge, lightning damage, modification, or commercial use, such as hotel, office, restaurant, or other business or rental use of the product, or damage that is attributable to acts of God.

Limits And Exclusions

There are no express warranties except as listed above.

PANASONIC SHALL NOT BE LIABLE FOR INCIDENTAL OR CONSEQUENTIAL DAMAGES RESULTING FROM THE USE OF THIS PRODUCT, OR ARISING OUT OF ANY BREACH OF THIS WARRANTY. ALL EXPRESS AND IMPLIED WARRANTIES, INCLUDING THE WARRANTIES OF MERCHANTABILITY, ARE LIMITED TO THE APPLICABLE WARRANTY PERIOD SET FORTH ABOVE.

Some states do not allow the exclusion or limitation of incidental or consequential damages, or limitations on how long an implied warranty lasts, so the above exclusions or limitations may not apply to you.

This warranty gives you specific legal rights and you may also have other rights which vary from state to state. If a problem with this product develops during or after the warranty period, you may contact your dealer or call the number listed above.